

FLY6

GENERATION 3

USER GUIDE

MODEL: CE603

Join the Cycliq community

We love being part of the global cycling community and hope to improve the safety of everyone on the road. We're active on social media and if you use Strava, we welcome you to join the Cycliq Strava club and ride with our members from around the world

 <https://upride.cc/>

 <https://www.youtube.com/cycliq>

 <https://instagram.com/cycliq/>

 <https://www.facebook.com/cycliq/>

 <https://twitter.com/cycliq>

 <https://www.strava.com/clubs/115935>

Subscribe to our newsletter at cycliq.com for all the latest product news.

Contents

What's in the box	4	Visual and audio alerts	15	CycliqPlus mobile app	22
Read this before using your Fly6	5	Audio settings	16	Connecting to your mobile device	22
Safety, operating and care information	5	Audible alerts	16	Time and date settings	22
Cautions	5	Airplane Mode	16	File lock warning	22
				Tail light settings	22
Your Fly6	6	Features	17	Updating your firmware	23
Register your Fly6	6	Video resolution	17	Cycliq auto-updater	23
Fly6 layout	7	Looping function	18		
		Capturing still images	18	Troubleshooting	24
Setting up your Fly6	8	Incident Protection Mode	18	Technical data	25
Charging your Fly6 battery	8	Manual footage capture	18	Compliance statements	26
Battery level indicators	8	Cycliq Home Safe Mode	20	Regulatory information	28
Inserting and removing the microSD card	9	Bike alarm	20		
Changing your Fly6 settings	10	Idle Mode	20		
		Durability	20		
Mounting your Fly6	11	Accessing your footage	21		
Attaching the safety tether	12	Video segment length	21		
		Editing your footage	21		
Using your Fly6	13				
Turning your Fly6 on and off	13				
Before your first ride	13				
Tail light options	14				

What's in the box

- 1 x Fly6
- 1 x Cycliq 32GB microSD card
- 1 x Seat post mount
- 1 x Standard seat post strap
- 1 x Aero seat post strap
- 1 x 0° Spacer
- 1 x D-shaped seat post adaptor
- 1 x Aero seat post adaptor
- 1 x USB to USB-C cable
- 1 x Safety tether
- 1 x Safety information and warranty sheet *(not pictured)*
- 1 x Quick Start Guide *(not pictured)*



Read this before using your Fly6

Disclaimer

The Fly6 is designed specifically to be used as a rear 'tail light' with video and audio recording capabilities for bicycles. While every effort has been made to ensure it will fit most bicycles on the market, it may not fit all bicycles, depending on your bike set up.

Please note that Cycliq, its subsidiaries and affiliates, and its distributors are not liable for any consequential damages arising from any malfunction of the Fly6, including memory cards.

Warning against copyright infringement

The images recorded with this camera are intended for personal use. Do not record images that infringe upon copyright laws without the prior permission of the copyright holder. Please be advised that in certain cases the copying of images from performances, exhibitions, or commercial properties by means of a camera or other device may contravene copyright or other legal rights even if the image was shot for personal use.

Safety, operating and care information

The following is important information which relates to the safe operation and care of your Fly6. For more information, please read your 'Safety Information & Limited Warranty Guide' contained in your accessory box and visit cycliq.com/qsg for more information.

Cautions

- Warning! No modification of this device is allowed. Opening the housing of the Fly6 will damage the water-resistant seal and void your warranty.
- The Fly6 is not a toy: children should not play with the Fly6.
- Do not look directly at the LED lights when operating.
- Do not immerse the Fly6 in water or any other liquid.
- Avoid dropping or knocking the Fly6 in any way.
- Pay attention and care when closing the port cover. Please ensure it is closed completely prior to operation.
- No liability can be accepted for any damage caused by non-compliance with these instructions or any other improper use or mishandling.
- The Fly6 has a rechargeable non-replaceable lithium-ion battery. When disposing of this, it should be done in compliance with the laws, rules and regulations of your relevant local authorities.
- The Fly6 is provided with a mode that makes it safe for transport by air, road and sea. This is called Airplane Mode and must be enabled when transporting or shipping your Fly6. We recommend transporting and shipping your Fly6 with less than 30% charge.

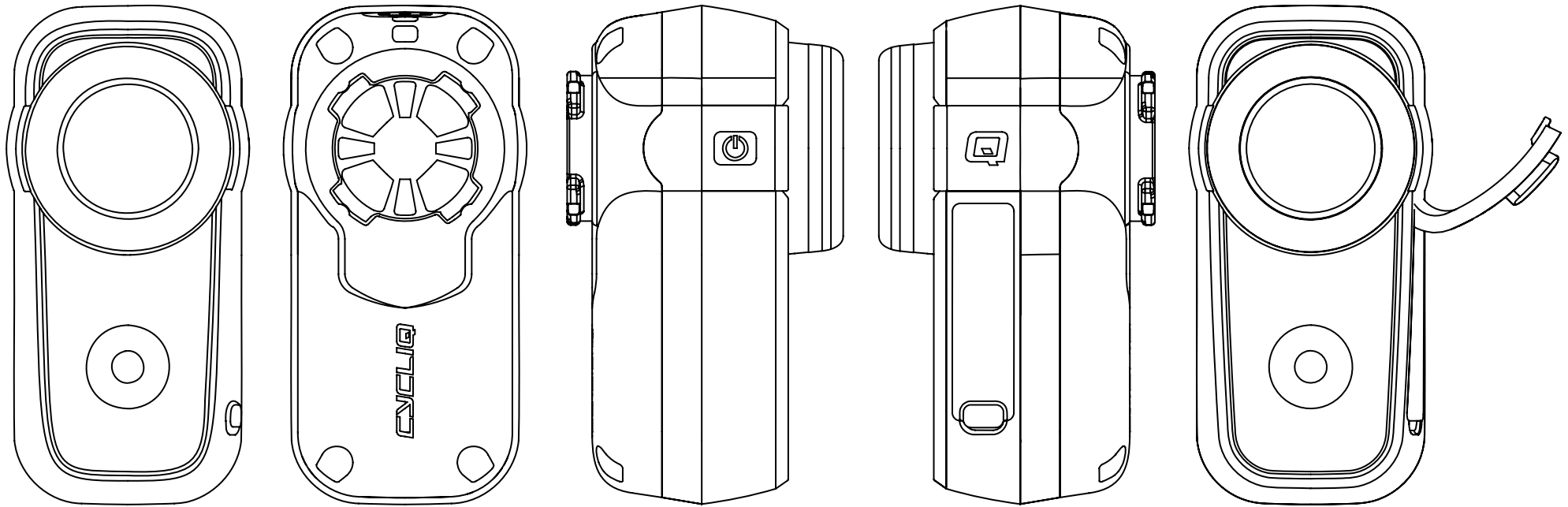
Your Fly6

Register your Fly6

We strongly advise that you register your Fly6 with Cycliq. Once registered, you'll receive notifications for new software or firmware updates, new features and user tips. Registration also speeds up the process should you require assistance with technical support or warranty queries.

To register your Fly6, visit **cycliq.com/register**, or use the CycliqPlus mobile app.

Fly6 layout



Front and back layout

Side layout

Front: port cover opened

Setting up your Fly6

Charging your Fly6 battery

Your Fly6 comes partially charged. Before using it for the first time, please charge the Fly6 fully.

To charge:

- Connect your Fly6 to a USB power adapter (*not supplied*) using the supplied USB cable.
- The indicator light will illuminate red showing the Fly6 is charging.
- The indicator light will illuminate green when the Fly6 is fully charged.

You can charge your Fly6 using the USB cable provided and your computer however, this will significantly reduce the rate of charge. For the quickest charge, use a USB power adapter that supports USB fast charge (5V @ 2.1A).

Note

The Fly6 is 'Fast Charge' compatible and accepts up to 2.1 amps. Accordingly, the time to charge from flat to fully charged varies from 1.5 to 6 hours depending on the method of charging, i.e. mains power USB at 2.1 amps (not supplied) or computer USB (at as little as 0.5A). Battery life will diminish over time and charge cycles.

Battery level indicator

When turning on your Fly6, an audible battery status will sound, alerting you to the current battery level. This will indicate whether you have enough power for your next ride. See below for audible notification guide:



4 rapid high pitched beeps = 75% to 100% charged



3 rapid high pitched beeps = 50% to <75% charged



2 rapid high pitched beeps = 25% to <50% charged



1 rapid high pitched beep = 12% to <25% charged



3 long high pitched beeps = Less than 12% charged

Inserting and removing the microSD card

- Your Fly6 comes with a 32GB microSD card pre-installed.
- Your Fly6 MUST have a microSD card installed to operate.

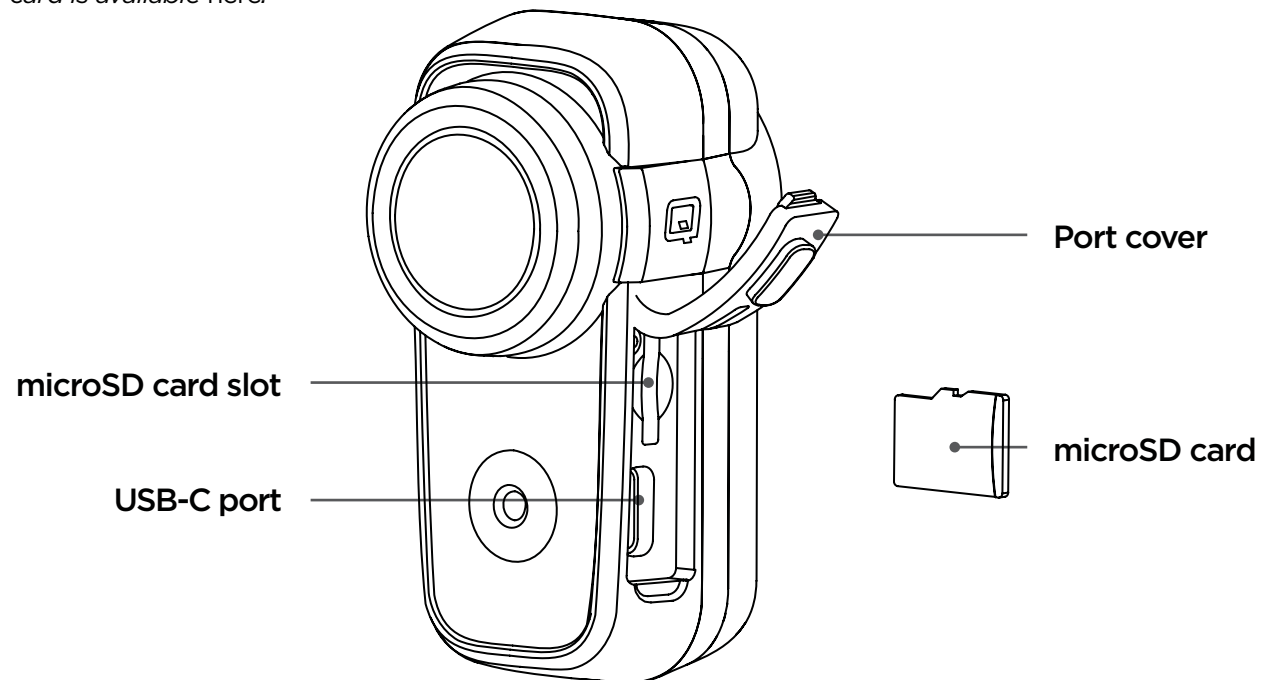
You can insert a microSD card into the microSD card slot of your Fly6 and press in gently until locked in place.

Please ensure the notch on the microSD card is pointing upwards towards the top of the Fly6, as illustrated here.

To remove your microSD card, gently press down on the microSD card until it releases from the microSD card slot.

Note

We highly recommend formatting your microSD card regularly. This will ensure your Fly6 operates at peak performance and guarantee your ride is always recorded. More information of how to format your microSD card is available [here](#).



Changing your Fly6 settings

Most of the primary functions of the Fly6 can be controlled using the Power and Q buttons on the side of the Fly6.

Summary

On the Fly6

- All primary functions can be accessed using the Power and Q buttons.

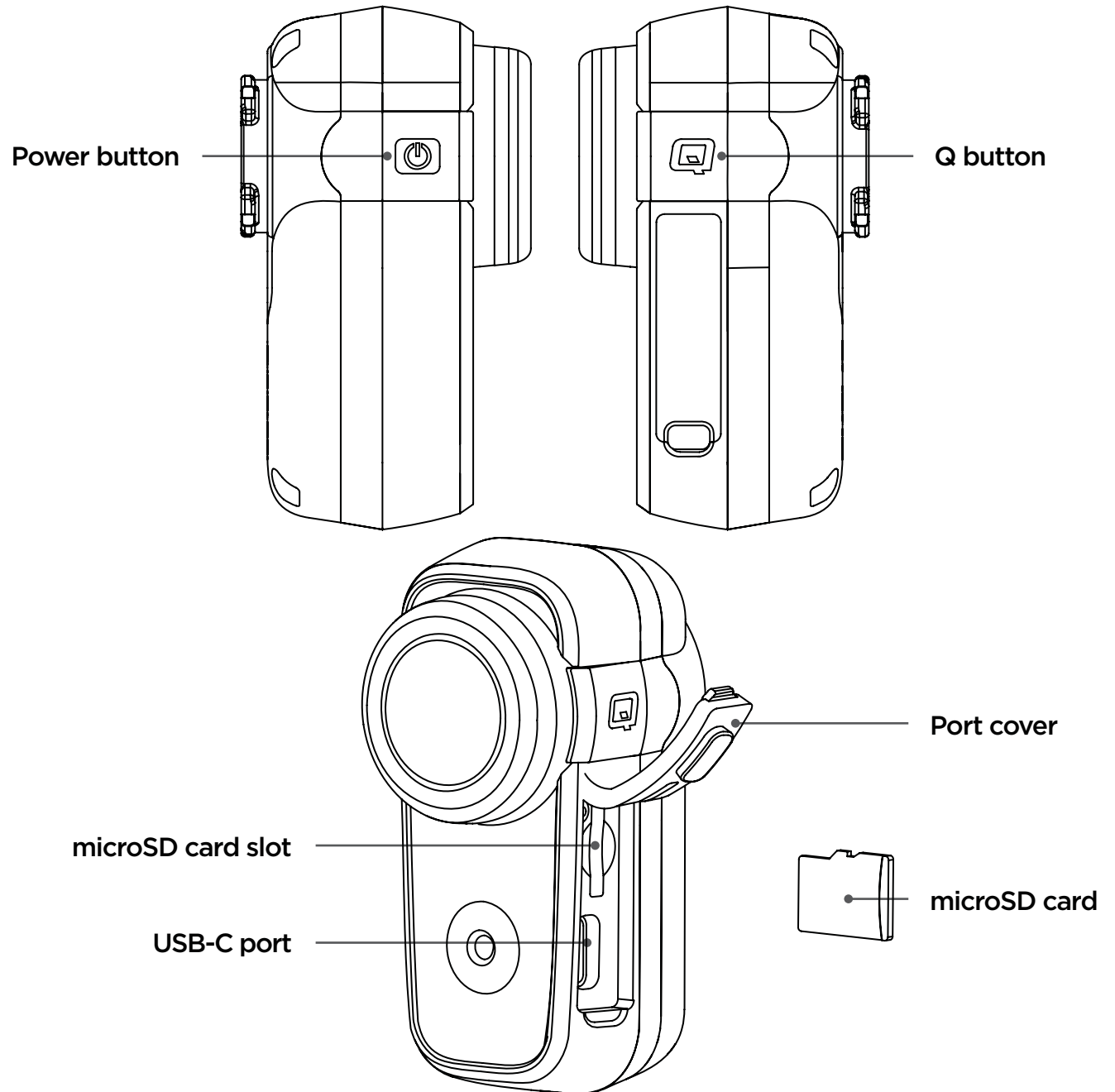
On the CycliqPlus mobile app

- There are other settings and features that are only accessible via the CycliqPlus mobile app (*iOS and Android*). Please download this from iTunes or the Google Play Store.



On the CycliqPlus desktop app

- This option offers similar functionality to the CycliqPlus mobile app. It is accessible on your PC or Mac when you plug your Fly6 into your computer using the supplied USB cable. Alternatively insert your microSD card into your computer's microSD card reader.



Mounting your Fly6

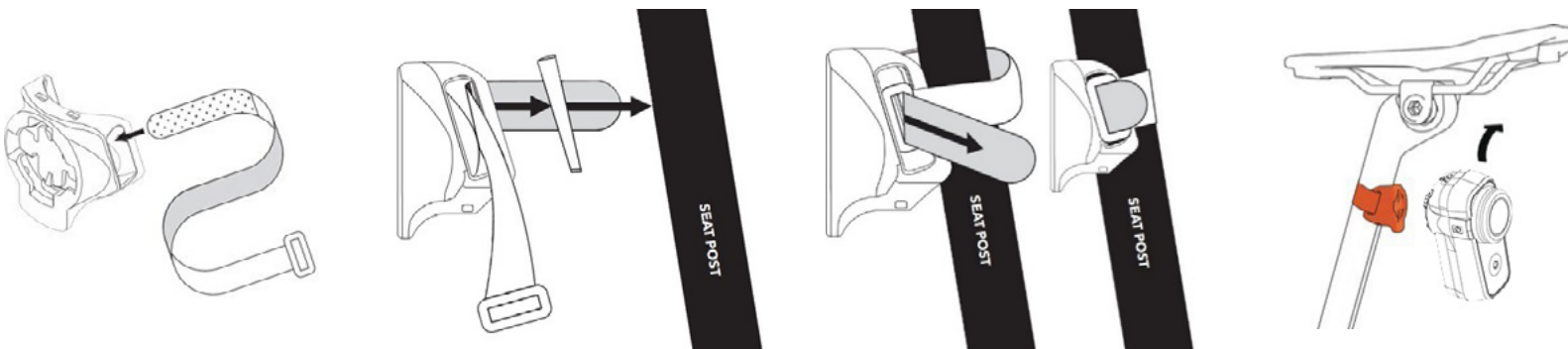
Mounting your Fly6 to your bike

Your Fly6 comes with a seat post mount that features the Cycliq 1/8 Turn Quick Release System. There are 2 Velcro strap lengths included to allow for mounting to traditional (*narrow*) and aero (*wide*) seat post styles.

1. Insert either the standard or aero length seat post strap and pull all the way through until the clasp meets the seat post mount, ensuring the silicon-coated surface grips your seat post.
2. Select the appropriate spacer or adapter for your bike. Place the spacer or adapter between the Fly6 seat post mount and the seat post.
3. While holding the mount against your seat post, wrap the Velcro strap around and feed it through the rectangular hoop at the other end of the strap. Wrap the Velcro back on itself to secure your mount.
4. To mount your Fly6 align the tabs on the Fly6 with the slots in the seat post mount. Turn Fly6 **clockwise** a 1/8th turn until you hear a click and then the Fly6 will be locked into the seat post mount.
5. You can easily remove your Fly6 from the bike by removing it from the seat post mount with a 1/8th turn **anticlockwise**. You can leave the mount on your bike for next use.

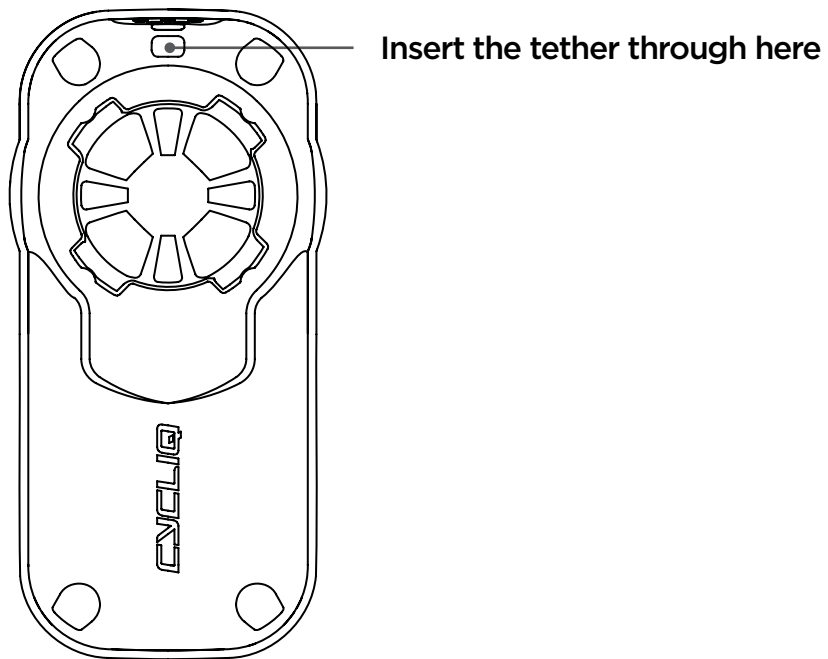
NOTE

The Fly6 must be mounted in an upright position as pictured.



Attaching the safety tether to your Fly6

1. On the back of the Fly6 there are 2 holes for the safety tether to be attached through.
2. Thread the thinner part of the tether through the holes, then thread the other end through the loop to secure the tether.
3. We recommend always using the Fly6 with the tether attached and secured around your seat post.



Using your Fly6

Turning on your Fly6

Press and hold the Power button (*for approximately 3-4 seconds*) until the rotating LED bezel illuminates and the 'power on' chime is heard – then release. Power level 'beeps' will sound, indicating the battery status - *see battery level indicators on page 8.*

Turning off your Fly6

Press and hold the Power button (*for approximately 3-4 seconds*) until the power level 'beeps' sound (*indicating the battery status*) and the power off chime is heard or the LEDs have turned off.

Before your first ride

Please follow all the below steps before going out on your first ride with your Fly6.

1. Fully charge your Fly6 – *see page 8*
2. Ensure your microSD is inserted – *see page 9*
3. Ensure your Fly6 port cover is securely closed
4. Ensure your safety tether is correctly attached – *see page 12*
5. Check the date and time stamps are correctly synced – *see page 22*

Tail light options

The following options are available:

- Camera Only Mode (*tail light off*)
- Constant Mode High (*tail light solid with high intensity*)
- Constant Mode Low (*tail light solid with low intensity*)
- Flash Mode High (*tail light flashing with high intensity*)
- Flash Mode Low (*tail light flashing with low intensity*)
- Organic Mode (*tail light random pattern with variable intensity*)

You can cycle through the available tail light options using the Power button.

The available tail light options can be customised via the CycliqPlus app.

Note

To maximise battery life, select a lower intensity tail light option and turn off your Fly6 when not in use. Your tail light mode and intensity will be remembered when you power off your Fly6. The next time you power on your Fly6 it will resume with the previously used light mode and intensity. Consider bicycle light regulations in your area when setting up your tail light.



Visual and audio alerts

Visual and audio alerts

(Refer to the diagram on page 14)

LEDS	Audio Alerts (Volume Dependant)	Reason
All LEDs off	None	Fly6 is off
3 red flashes of the indicator light	None	Fly6 requires charging
Single solid green indicator light	None	100% charged & Fly6 is connected to a working charger
Single solid red indicator light	None	0-99% charged & Fly6 is connected to a working charger
Single solid blue indicator light	None	Bluetooth connected
All bezel LEDs blinking red in unison	2 quick and 1 longer beep every 12-14 seconds	microSD card error
Bezel LEDs rotating clockwise <i>(red)</i>	Optional short beep every 3, 5 or 10 mins dependant on your beep interval settings	Fly6 is recording
N/A	1 beep	Still image captured
Bezel LEDs flash from top to bottom and back again along the sides	Ascending chime	Fly6 has been turned on
None	Descending chime	Fly6 has been turned off

LEDS	Audio Alerts (Volume Dependant)	Reason
N/A	4 rapid high pitched beeps	75% to <99% charged (only when turning on or off)
N/A	3 rapid high pitched beeps	50% to <75% charged (only when turning on or off)
N/A	2 rapid high pitched beeps	25% to <50% charged (only when turning on or off)
N/A	1 high pitched beep	12% to <25% charged (only when turning on or off)
N/A	3 long high pitched beeps	Less than 12% charged (only when turning on or off)
See Home Safe Mode (on page 20)	1 long and 1 very long beep every 60 seconds	Less than 12% charged (during use)
N/A	3 rapid beeps	Incident Protection Mode triggered - See page 18
Tail light (as per options on page 14)	N/A	Keeps you visible
N/A	Constant repeating ascending tone	Alarm triggered

Audio settings

The Fly6 has a microphone which records sound in high quality. It also has a speaker which is used for audible alarms and alerts.

Volume levels

The audio volume of the speaker can be set from off to 100%, in 20% increments (0-5).

The volume of the audio can be customised via the CycliqPlus app on mobile or desktop.

Audible alerts

A recording alert notification can be set using the CycliqPlus app. This provides a short beep at 3, 5, or 10-minute intervals to notify you that your Fly6 is recording video footage. This is particularly useful as you can't see the rotating bezel whilst riding. This alert can also be turned off and is affected by your selected volume setting.

Airplane Mode

Airplane Mode turns off all device signals rendering it compliant for airline travel, transport and shipping.

To activate Airplane Mode the Fly6 must be turned off, and then simultaneously press and hold the power and Q button for 3-4 seconds. Each side of the LED bezel will flash alternately twice to confirm Airplane Mode is activated.

Features

Video resolution

The Fly6 is equipped with a Full HD camera. The lens has a 135° viewing angle providing an ultra-wide view of what's going on behind you. There are two video resolutions to choose from. More storage space and power will be used with the higher resolution setting.

Video	Frames per second	Screen resolution
1080p FHD	30	1920x1080 16:9
720p HD	60	1280x720 16:9

Looping function

Your Fly6 is designed as a 'set-and-forget' cycling accessory. The footage is set to record on a 'continuous loop' so you don't have to worry about running out of storage space on your microSD card. When there is no more free space left, the Fly6 will then start recording over the oldest footage first.

Any locked footage saved by the Fly6 Incident Protection Mode or manual footage capture, will not be overwritten by this looping function.

The looping function cannot be turned off. This ensures that you do not forget to record your ride. If you want to keep your ride footage, ensure you transfer it to another storage device.

The maximum duration of video footage that you can record is dependent on the selected video setting as well as the storage capacity of your microSD card.

Locked footage can completely fill your microSD card. We recommend regularly transferring any locked footage and other videos to another storage device and then formatting your microSD card with the CycliqPlus app.

Capturing still images

Your Fly6 can take still images while recording video. You can do this by holding the Q and power button simultaneously for 1 second. This image will be saved as a JPEG and can be accessed with the rest of your footage ([see page 21](#)). The Fly6 will emit a short beep to confirm image capture.

Incident Protection Mode

The Fly6 has been designed to save footage from major incidents without being recorded over and without you having to do anything.

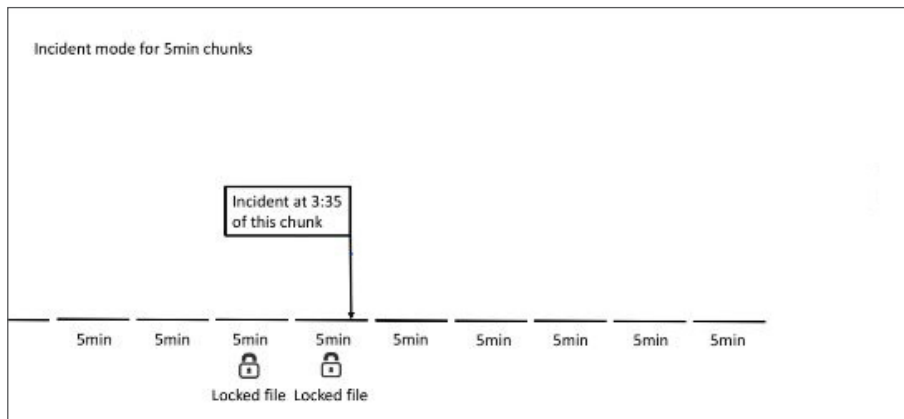
Incident Protection Mode is activated when the Fly6 is tilted more than 60° from the vertical (*or 30° from the ground*) for more than 5 seconds. If this happens, your Fly6 will lock the current and immediately preceding video segments. This prevents the footage from being overwritten by the video looping function.

Incident Protection Mode can be enabled and disabled via the CycliqPlus app. The default setting is enabled.

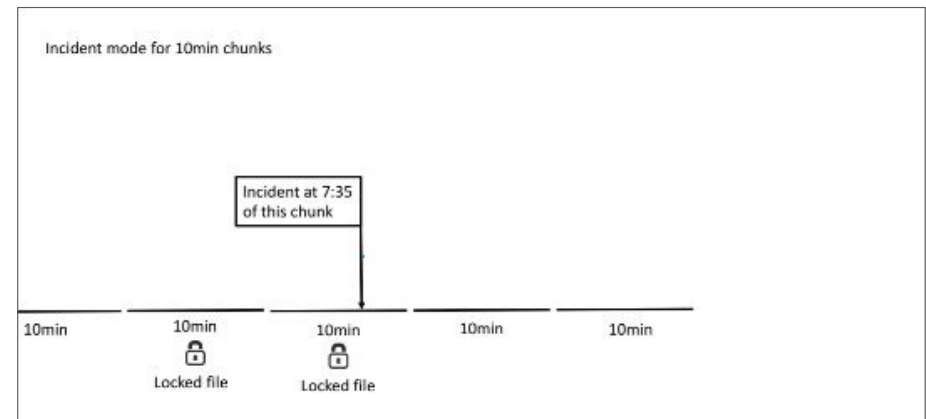
Manual footage capture

If you witness an event that you want to capture and retain while riding, simply press and hold the Q button for 2 seconds. This will manually trigger Incident Protection Mode and 3 rapid beeps will sound to confirm that the current and previous segments of video have been locked.

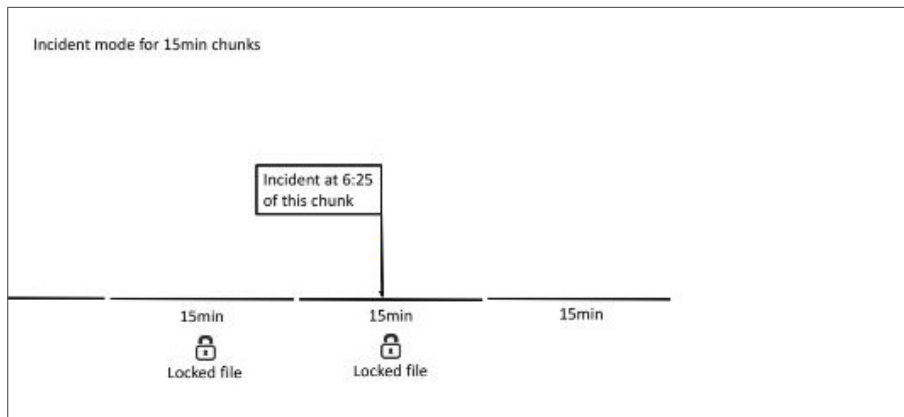
**5-minute segment, Incident Protection Mode example
10-minutes of locked files.**



**10-minute segment, Incident Protection Mode example
20-minutes of locked files.**



**15-minute segment, Incident Protection Mode example
30-minutes of locked files.**



NOTE

When Incident Protection Mode is triggered, or if you trigger manual footage capture, the current segment will be locked and will continue recording until the current segment is complete or the Fly6 is turned off. For example, if you trigger Incident Protection Mode 3 minutes into a 5 minute segment, your Fly6 will also record the following 2 minutes and save it as a locked file.

Caution

Incident Protection Mode can be turned off via the CycliqPlus app, however, this is not recommended.

Cycliq Home Safe Mode

Your safety is our number one priority, so the Fly6 has been designed that when your battery level falls below 12% the Fly6 will automatically enter Home Safe Mode.

When Home Safe Mode is activated, you will hear 1 long and 1 very long beep every 60 seconds depending on your volume setting.

If the Fly6 is recording and the tail light is in use when Home Safe Mode is activated then the camera will stop recording. If the tail light is set to a high intensity option then this will be reduced to low intensity. The Fly6 will then continue to power the lights until the battery reaches 0% and the Fly6 will power off.

If the Fly6 is in Camera Only Mode when Home Safe Mode is activated the camera will continue to record until the battery reaches 0% and the Fly6 will power off.

You can still use the power button to cycle between all available tail light options, including any high intensity options.

Bike alarm

The Fly6 bike alarm can be armed via the CycliqPlus mobile app. If your Fly6 is moved whilst it is armed (*including if your bike is moved with the Fly6 attached*), it will sound an alarm, the tail light will begin to pulse and the camera will start recording. You will also receive an alert and alarm notification on your smartphone if you are in Bluetooth range.

The bike alarm can be turned off (*if you are in Bluetooth range*) via the CycliqPlus mobile app.

Manual over-ride of bike alarm

If the alarm is active but cannot be stopped, press both the power button and Q button until the alarm stops. This will take around 8 seconds.

Durability

The Fly6 has been designed for all-weather use and is water and dust resistant. You should still take care to ensure the Fly6 port cover is firmly and correctly sealed before use.

Idle Mode

Idle Mode is intended to assist with battery management. If Idle Mode is active, the Fly6 will turn off automatically after sensing no movement for 15 minutes. You can turn the Fly6 back on as you normally would when you return to using it.

Idle Mode can be enabled and disabled via the CycliqPlus app. The default setting is disabled.

Caution

Cycliq recommends familiarising yourself carefully with this function before using it as this function can prevent your ride from being recorded. Idle Mode should only be used with an audible alert setting of 3, 5, or 10 minutes so you are aware if your Fly6 has turned off.

Accessing your footage

After your ride, you can access your footage in two ways:

1. Connect your Fly6 directly to any PC or Mac using the supplied USB cable.
2. Remove the microSD card and read data using a compatible device.

<https://cycliq.com/blogs/how-to-connect-fly-ce-with-usb-otg/>

<https://support.cycliq.com/a/solutions/articles/13000074083>

Video segment length

Footage is saved in chronological order in 5, 10 or 15-minute segments in MP4 format, with each segment creating a separate file. Smaller files can be more convenient to move and edit however larger segments will increase the duration of any locked footage in a single file.

For example, a longer video segment length allows you longer to find a safe place to pull over and initiate a manual footage capture.

The table below gives an indication of approximate file size per segment length:

Example at 1080p FHD @30fps

Segment Length	Approx. File Size
5 minutes	850 MB
10 minutes	1.7 GB
15 minutes	2.55 GB

Video segment length can be changed via the CycliqPlus app.

Editing footage

You can edit the footage from your Fly6 using the CycliqPlus app. From here you can also overlay Strava metrics and share highlights from your ride.

CycliqPlus mobile app

All Fly6 settings can be managed using the CycliqPlus mobile app - available for iOS and Android.

Connecting to your mobile device

Your Fly6 uses Bluetooth for connection to your iOS or Android device. The default setting is for Bluetooth to be on only when the Fly6 is powered on.



Connecting for the first time

The first time you connect your Fly6 to your mobile device you will need to follow the below steps to enable Bluetooth.

1. Turn on your Fly6 by pressing and holding the power button.
2. Open the CycliqPlus mobile app and make sure Bluetooth is enabled on your phone.
3. Select your Fly6 from the menu. The Fly6 bezel indicator light will illuminate blue when connection is established.

Time and date settings

The Fly6 is automatically synced with the time and date information from your smartphone when connecting to the CycliqPlus mobile app.

Note

You can also manually input the date and time via the CycliqPlus desktop app.

File lock warning

This triggers a pop up and audible alert on your CycliqPlus mobile app if more than 50% of your microSD card is filled by locked video footage.

Tail light settings

This function allows you to select which light options will be available via the power Button on your Fly6. (*see page 14*).

Updating your firmware

Making sure you have the most up to date firmware will give you the best Cycliq experience possible.

Cycliq auto-updater

Download the macOS or Windows version of the Firmware auto-updater app from the links below, open it up from your desktop and follow the on screen instructions. Your firmware will be updated automatically to the latest version, and future firmware updates will be just as hassle-free!

 <https://cycliq.com/software/firmware-autoupdater-macos>

 <https://cycliq.com/software/firmware-autoupdater-windows>

Troubleshooting your Fly6

Rebooting your Fly6

If your Fly6 requires a reboot, press and hold the Q button for 10 seconds and your Fly6 will restart.

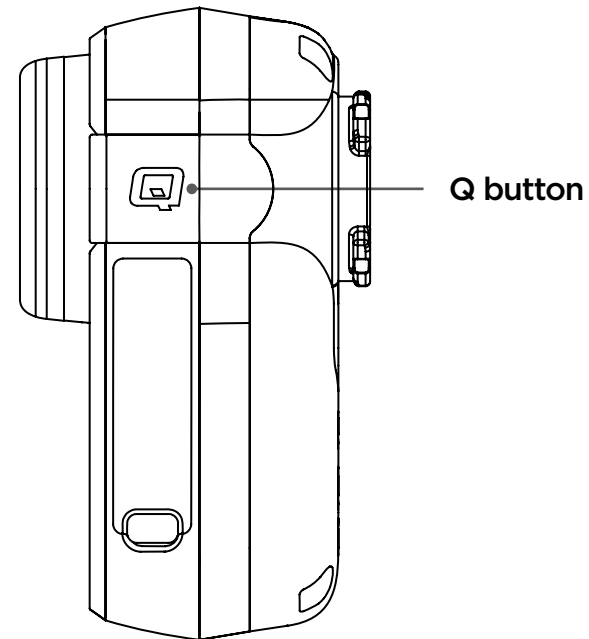
Warning!

DO NOT reboot your Fly6 when in the process of completing a firmware update as this may damage your Fly6.

Still need help?

Our friendly support team will help you troubleshoot any issues you may be having.

<https://support.cycliq.com/>



Technical data

Name	Fly6 CE GEN3
Model	CE603
Product Description	HD bike camera + rear light
Height	71mm
Width	35mm
Depth	40mm
Weight: Approx.	75.5g
Power Source	Rechargeable Lithium ion Battery
Battery Size	2000mAh (<i>approx. 5 hours in camera only Mode</i>)
Watt Hours	7.6Wh
Voltage	3.7v
Ingress Protection	IP56
Operating Temperature/Humidity	0-45°C (32-113°F)
Storage Temperature/Humidity	0-45°C (32-113°F)

Compliance statements

Federal Communications Commission (FCC) compliance statement

This device complies with Part 15 of the FCC Rules. Operation is subject to the following two conditions: (1) this device may not cause harmful interference, and (2) this device must accept any interference received, including interference that may cause undesired operation. Changes or modifications not expressly approved by the party responsible for compliance could void the user's authority to operate the equipment.

This equipment has been tested and found to comply with the limits for a Class B digital device, pursuant to Part 15 of the FCC Rules. These limits are designed to provide reasonable protection against harmful interference in a residential installation. This equipment generates, uses and can radiate radio frequency energy and, if not installed and used in accordance with the instructions, may cause harmful interference to radio communications. However, there is no guarantee that interference will not occur in a particular installation.

If this equipment does cause harmful interference to radio or television reception, which can be determined by turning the equipment off and on, the user is encouraged to try to correct the interference by one or more of the following measures:

- Reorient or relocate the receiving antenna.
- Increase the separation between the equipment and receiver.
- Connect the equipment into an outlet on a circuit different from that to which the receiver is connected.
- Consult the dealer or an experienced radio/TV technician for help.

Industry Canada (IC) compliance statement

This device complies with Industry Canada license-exempt RSS standard(s). Operation is subject to the following two conditions:

- (1) this device may not cause interference; and
- (2) this device must accept any interference, including interference that may cause undesired operation of the device.

Le présent appareil est conforme aux CNR d'Industrie Canada applicables aux appareils radio exempts de licence. L'exploitation est autorisée aux deux conditions suivantes:

- (1) l'appareil ne doit pas produire de brouillage, et
- (2) l'utilisateur de l'appareil doit accepter tout brouillage

radioélectrique subi, même si le brouillage est susceptible d'en compromettre le fonctionnement.

Note

This equipment has been tested and found to comply with the limits for a Class B digital device, pursuant to Part 15 of the FCC Rules. These limits are designed to provide reasonable protection against harmful interference in a residential installation. This equipment generates, uses and can radiate radio frequency energy and, if not installed and used in accordance with the instructions, may cause harmful interference to radio communications.

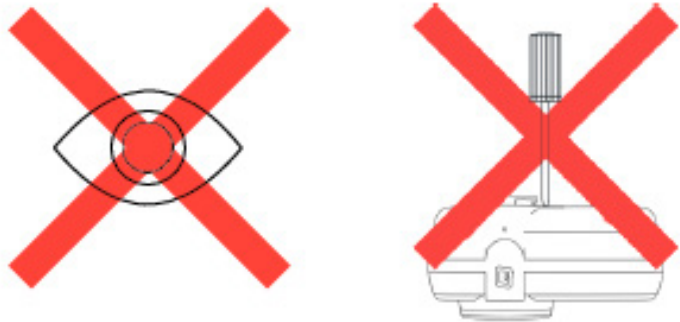
Regulatory information

Caution

To maintain compliance with the RF exposure guidelines, place the unit at least 20cm from nearby persons.

Warning

Changes or modifications to this unit not expressly approved by the party responsible for compliance could void the user's authority to operate the equipment. Risk of explosion if battery is replaced by an incorrect type. Dispose of used batteries according to the instructions.



Limited warranty

For comprehensive warranty information refer to <http://www.cycliq.com/warranty>

Cycliq customer support

Please go to support.cycliq.com for further information and support.

Caution

Cycliq recommends the following:

- Do not look directly at the light.
- Do not leave the light on when not in use.



CYCLIQ.COM

📍 PO Box 404
Subiaco WA 6904
Australia

✉ info@cycliq.com

FLY6

GENERATION 3

Fly6 CE603 User Guide - Version 2021.11